

TECNA[®]

INDUSTRIAL RESISTANCE WELDING SYSTEMS

THE CUTTING-EDGE TECHNOLOGY FOR RESISTANCE WELDING
A COMMITMENT TO CONTINUOUS IMPROVEMENT

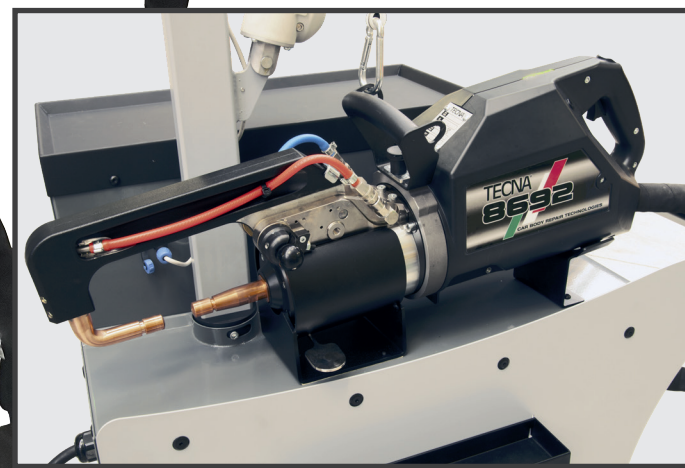
NEW NEW GENERATION 3680 industry

ANNOUNCING NEW 3680 INDUSTRY PRODUCT LINE

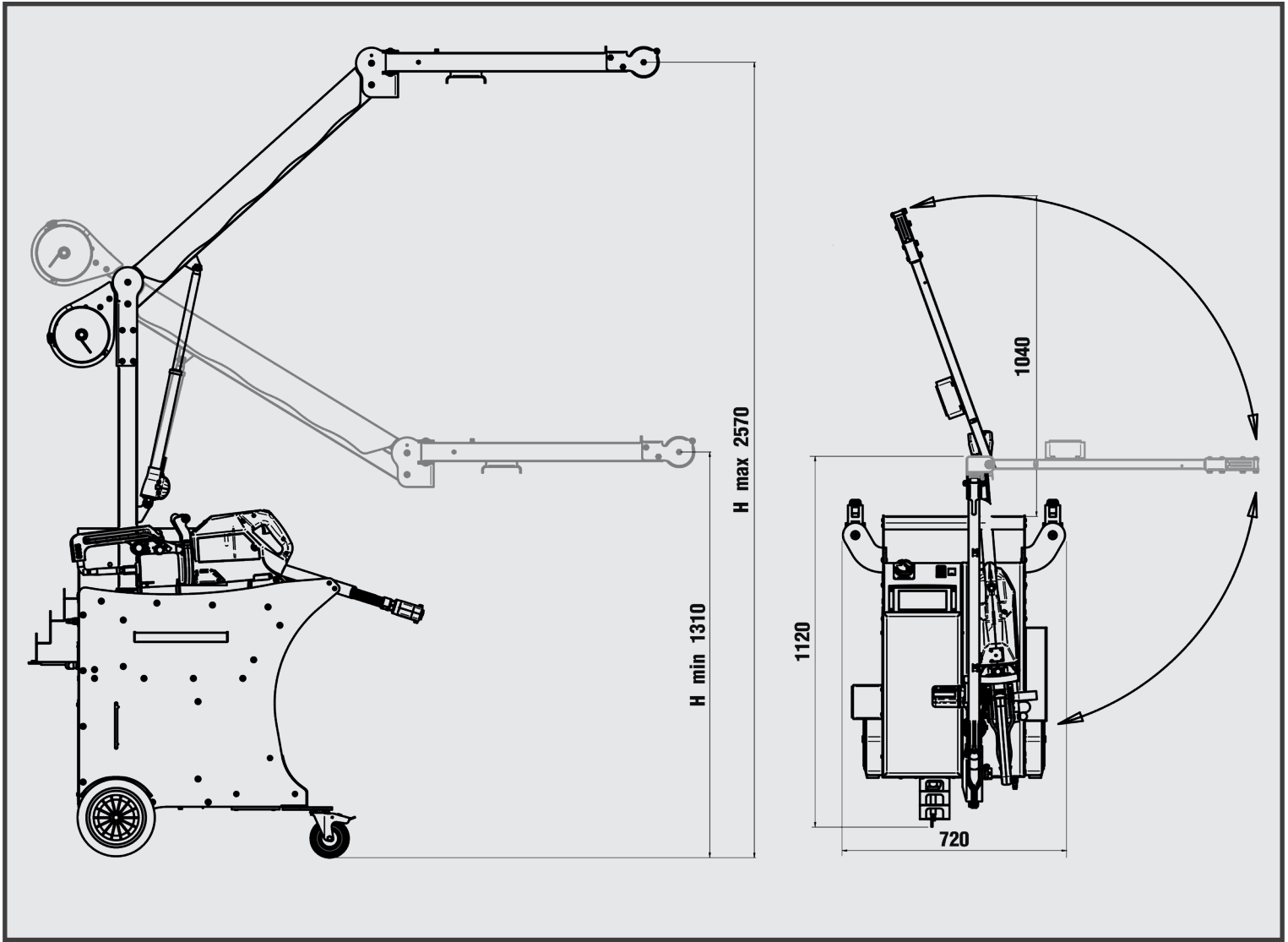
new motorized
suspension gun

new retractor with high
smoothness bowden cable

8692 new gun



TECNA AVAILABLE MODELS:
3680 industry



special installation with
COBOT safety

